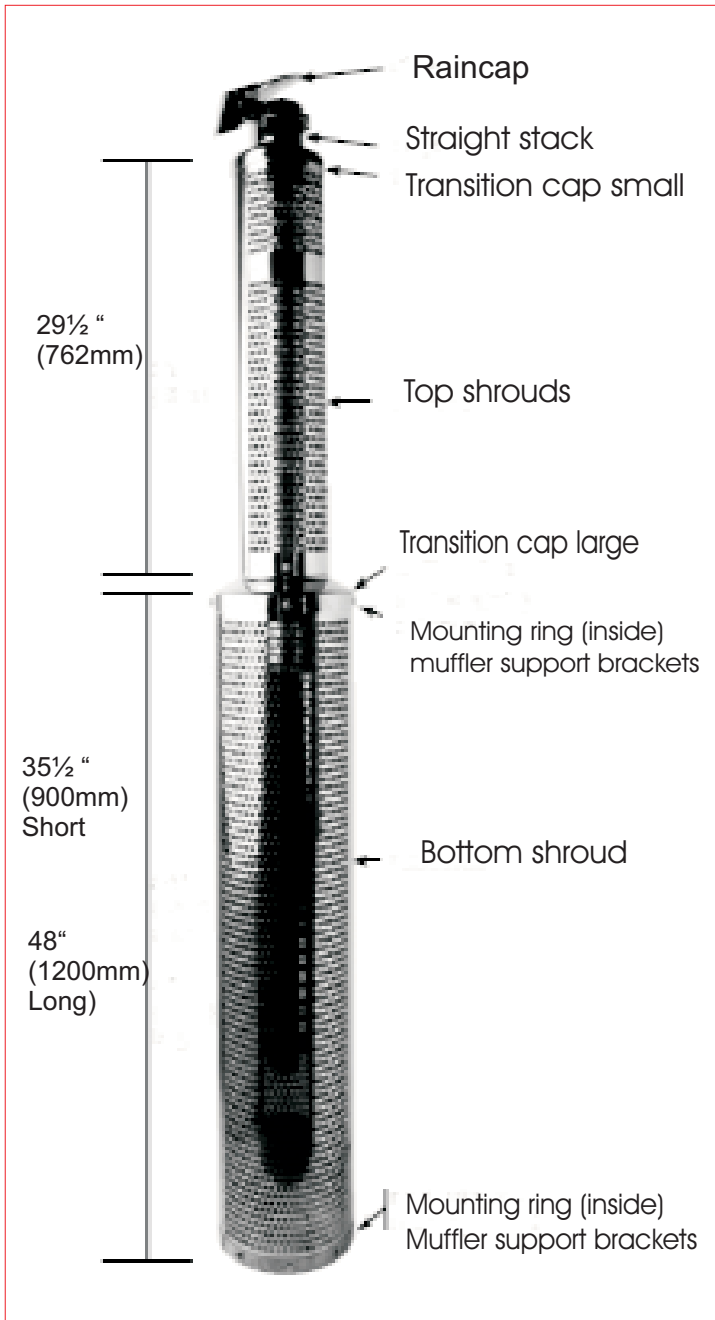


ATTENTION - PURCHASING OFFICER

Flame Proof Tanker Kits



Flame Proof Tanker Kits are designed to conform to Australian Standard AS2809.1 and AS2809.2

A standard kit consists of

- stainless steel top & bottom shroud
- stainless steel transition cap (1 large, 1 small)
- bracket mounting rings (2)
- muffler pipe mounting brackets (2)
- chrome plated straight stack
- chrome plated silent raincap

Top shrouds have an unperforated band near one end. This allows shortening of the shroud by 200mm if required for your application.

Tanker Kit Exhaust Stacks are 1 metre long to allow for extra clearance for a raincap to fully open without touching the top transition cap. Longer stacks or deflectors can be used if required.

Spare parts are available separately.

Also available Pipe shroud kits in short length 1500mm and long length 2290mm in sizes to suit 3" to 5" tube.

MUFFLERS MUST BE ORDERED SEPARATELY
If required contact our sales team for assistance.

07 3274 2666

F 07 3275 2836

sales@nelsonexhaust.com.au

www.nelsonexhaust.com.au

1909 Ipswich Road, Rocklea Q 4106

